

Fixture Number				
Project Title		Type		Qty
Comments				



P7000 | Fayette

- Opal Glass Schoolhouse Shade
- Metal Fitter
- Center Stem to 45° Swivel Canopy

Dimensions and Lamping:

P7000-12 12" A x 24" B x 7" C Weight: 6 lbs.
LN LED: Nominal 25W, 2000 Delivered Lumens
LH LED: Nominal 40W, 3350 Delivered Lumens

P7000-14 14" A x 30" B x 8" C Weight: 9 lbs.
LN LED: Nominal 25W, 2075 Delivered Lumens
LH LED: Nominal 40W, 3450 Delivered Lumens

P7000-16 16" A x 36" B x 9" C Weight: 11 lbs.
LN LED: Nominal 25W, 2110 Delivered Lumens
LH LED: Nominal 40W, 3500 Delivered Lumens

P7000-18 18" A x 36" B x 12" C Weight: 14 lbs.
LN LED: Nominal 25W, 2150 Delivered Lumens
LH LED: Nominal 40W, 3600 Delivered Lumens

LED Color Temperature:

35K 3500K **30K** 3000K **40K** 4000K

Control:

CLV Integral Power Supply, 0-10V Dimming to 1%

Voltage:

1 120V **2** 277V **MV** Multi-Volt

Diffusers:

OG Opal Glass

Standard Finishes:

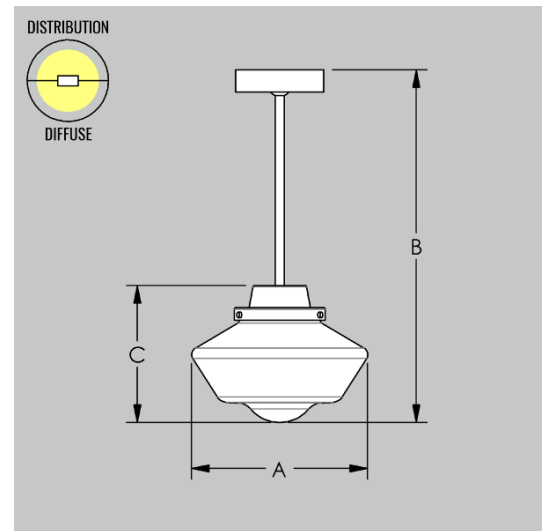
PAL Aluminum	PSB Satin Black	PRD Traffic Red (RAL 3020)
PNL Nickel	PBB Brushed Brass	POR Pure Orange (RAL 2004)
PBR Bronze	PAB Antique Brass	PYL Traffic Yellow (RAL 1023)
PLB Light Bronze	PHB Hammered Bronze	PGR Emerald Green (RAL 6001)
PMB Medium Bronze	PHC Hammered Copper	PBL Signal Blue (RAL 5005)
PDB Dark Bronze	PHS Hammered Silver	STBD To Be Determined
PRB Oil Rubbed Bronze	PSG Satin Gold	
PMW Matte White	PPA Patina	

Hanging Options:

ST Stem

Other Options:

OAH Overall Height (Specify in Comments) **REM** Remote Emergency Power Supply



Notes:

- Custom sizes and finishes available upon request.
- Camman reserves the right to make design changes without prior notice.
- Mounting is to a 4 inch octagonal junction box.
- Photometric information is available at cammanlighting.com.