

Fixture Number				
Project Title		Type		Qty
Comments				



W690 | Collin

- White Acrylic Diffuser
- Metal Backplate, Decorative Metal Arms
- ADA

Dimensions and Lamping:

W690-20 7.5" A x 20" B x 3.5" D x 10" MC Weight: 10 lbs.
LN LED: Nominal 15W, 400 Delivered Lumens

W690-27 7.5" A x 27" B x 3.5" D x 13.5" MC Weight: 12 lbs.
LN LED: Nominal 25W, 650 Delivered Lumens

LED Color Temperature:

35K 3500K **30K** 3000K **40K** 4000K

Control:

CLV: Integral Power Supply, 0-10V Dimming to 1%

Voltage:

1 120V **2** 277V **MV** Multi-Volt

Diffusers:

WA Gloss White Acrylic
WM Matte White Acrylic

Standard Finishes:

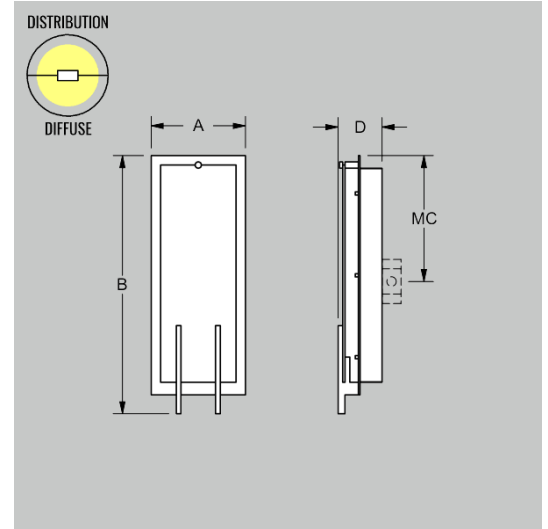
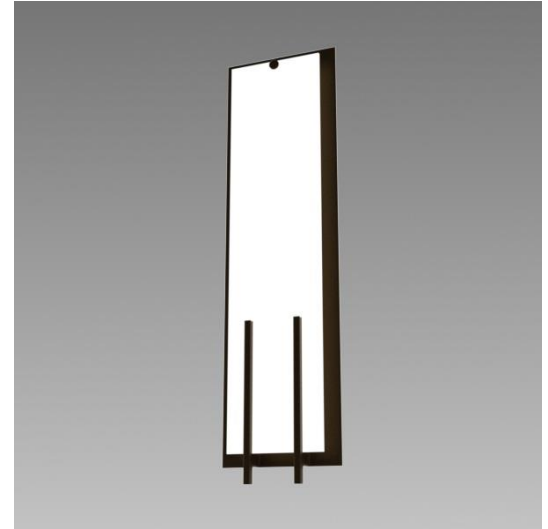
PAL Aluminum	PSB Satin Black	PRD Traffic Red (RAL 3020)
PNL Nickel	PBB Brushed Brass	POR Pure Orange (RAL 2004)
PBR Bronze	PAB Antique Brass	PYL Traffic Yellow (RAL 1023)
PLB Light Bronze	PHB Hammered Bronze	PGR Emerald Green (RAL 6001)
PMB Medium Bronze	PHC Hammered Copper	PBL Signal Blue (RAL 5005)
PDB Dark Bronze	PHS Hammered Silver	STBD To Be Determined
PRB Oil Rubbed Bronze	PSG Satin Gold	
PMW Matte White	PPA Patina	

Premium Finishes:

BA Brushed Aluminum	PB Polished Brass
SN Satin Nickel	AB Antique Brass
PC Polished Chrome	PTBD To Be Determined
BB Brushed Brass	

Other Options:

REM Remote Emergency Power Supply



Notes:

- Custom sizes and finishes available upon request.
- Camman reserves the right to make design changes without prior notice.
- Mounting is to a 4 inch octagonal junction box.
- Photometric information is available at cammanlighting.com